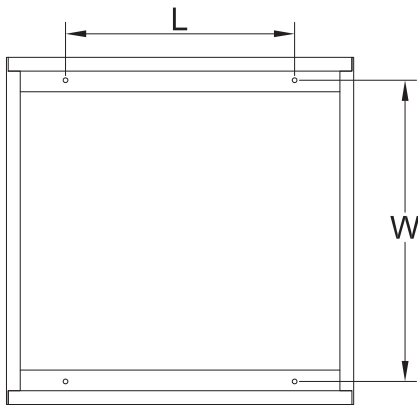
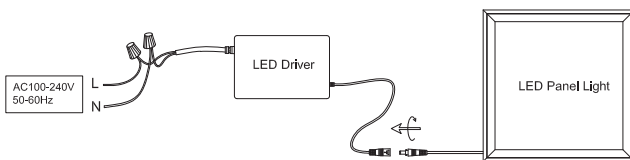


1. Installation Guides for surface mounting LED panel light kit

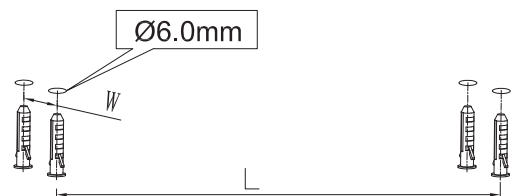


Type	Size L	Size W
301*301 Panel light	200mm	267mm
301*603 Panel light	360mm	267mm
301*1212 Panel light	700mm	267mm
603*603 Panel light	360mm	569mm
603*1212 Panel light	700mm	569mm

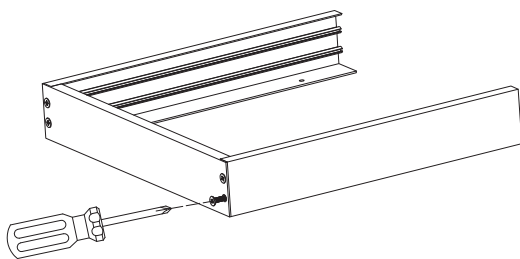
2. Installation Instructions



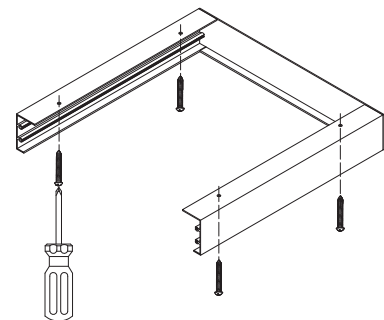
1). Panel light connection mode.



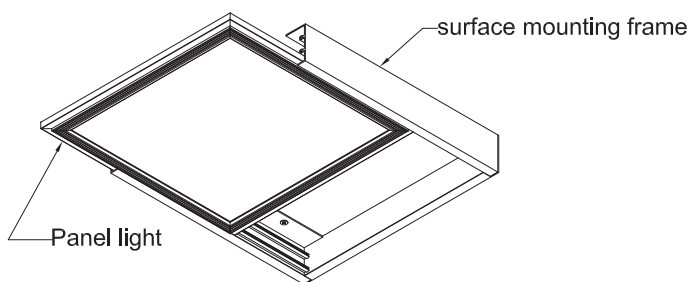
2). Drill the mounting holes on the ceiling and install the Plastic wall plug.



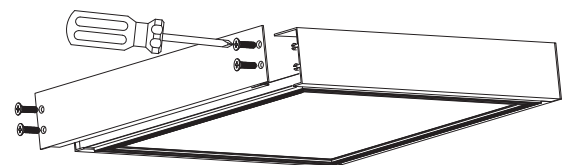
3). Assemble the surface mounting frame.



4). Install the surface mounting frame on the ceiling.

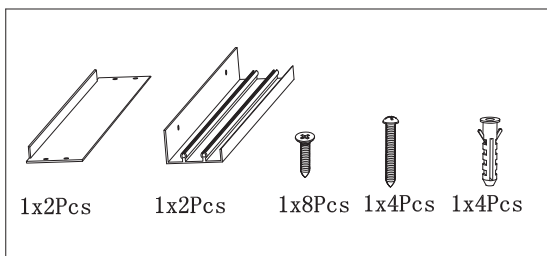


5). Slide the panel light into the surface mounting frame.



6). Mount the final aluminum profile on the frame.

3. Parts included:



4. Necessary Tools:

