

## TECHNICAL SHEET

### ESERALEDRED



**Meets the essential requirements of the CE directives and the relevant clauses of the applicable regulations:**

- **2014/30/UE. EMC Directive.**
  - UNE-EN 55015:2013. Limits and methods of measurement of radio disturbance characteristics of electrical lighting and similar equipment.
  - UNE EN 61000-3-2:2014. Electromagnetic compatibility (EMC) – Limits.
  - *UNE-EN 61547:2011. Equipment for general lighting purposes. EMC immunity requirements*
- **2014/35/UE. Low voltage Directive.**
  - UNE-EN 60598-1:2015. Luminaires - specification for general requirements and test.
  - *UNE-EN 60598-2-22:2015. Luminaires for emergency lighting..*

#### **Technical characteristics:**

**Type of lighting:** Self-contained, signalization luminary, specially designed for 230V CA-CC central system battery.  
It is suitable for direct mounting on flammable surfaces (F-marked).

**Voltage:** 220-240 V / 50-60Hz – **Line current:** 50mA – **Consumption:** 4.8W - **Power factor (cosΦ):** 0,42

**Lamp:** LED.

**Colour temperature:** 5300 – 6500K

**Electrical insulation:** Class II

**External parts mechanical strength, IK protection rate (EN 50102):** IK04

**Protection degree against solid objects and liquids, IP (EN60529):** IP44

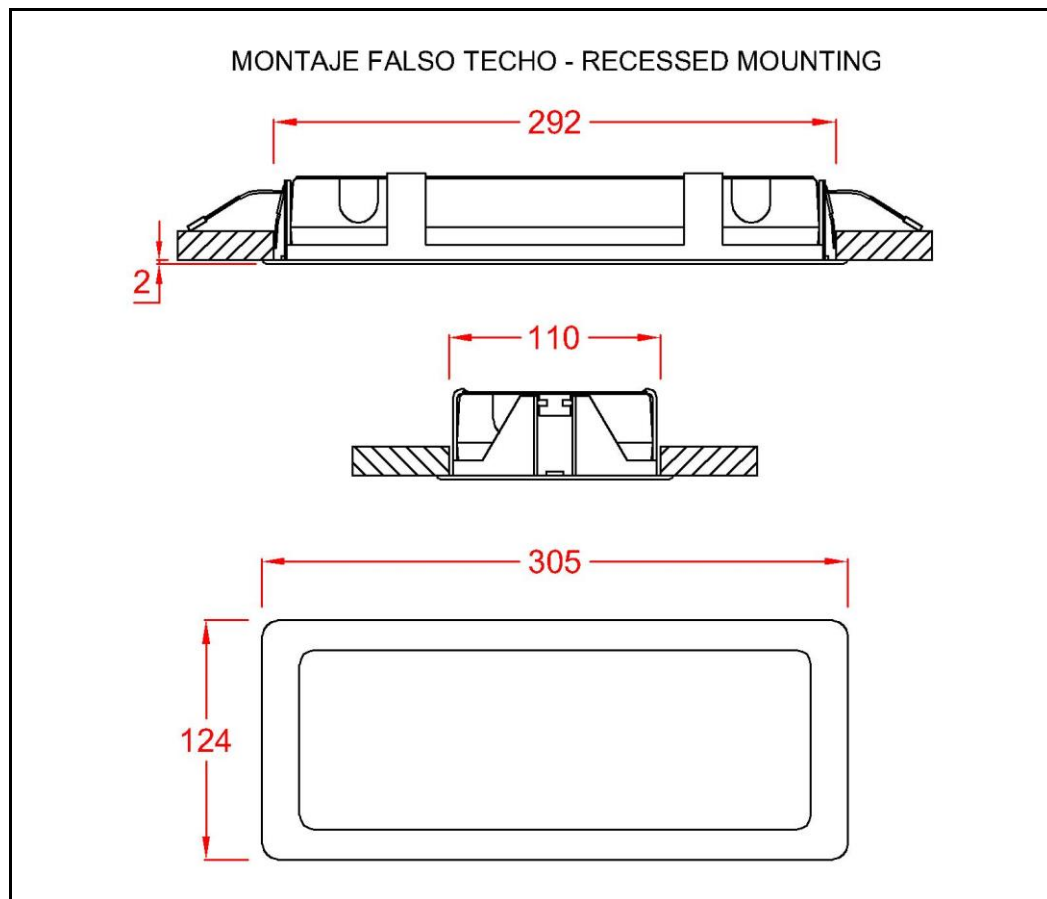
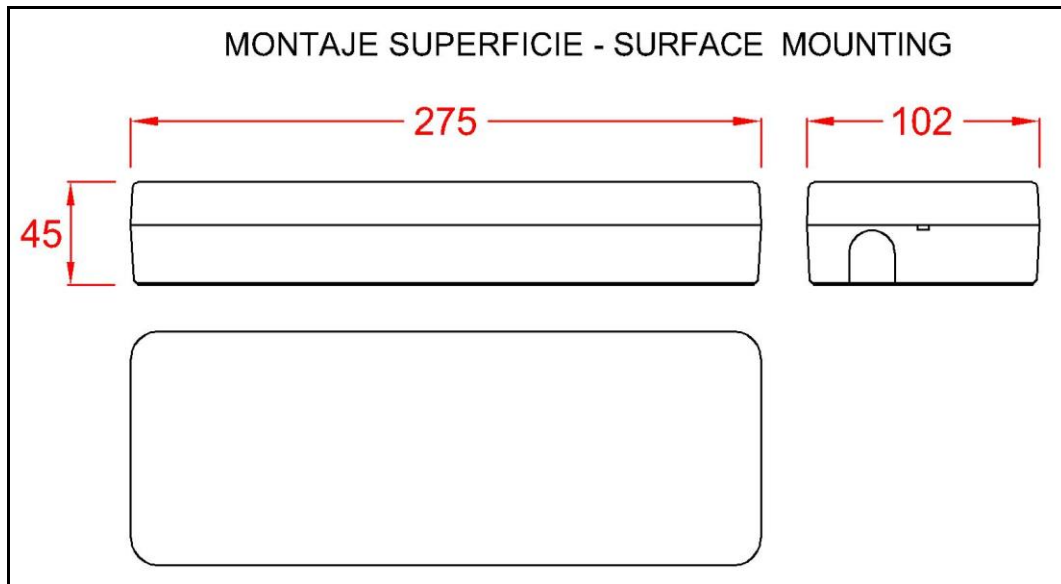
**Electric protection:** mains fuse.

#### **Housing:**

Base: ABS V0 white

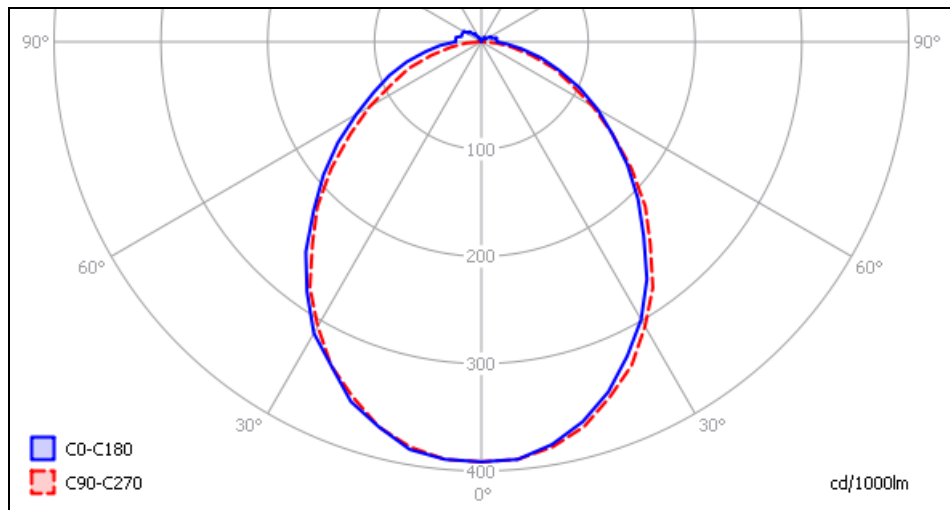
Diffuser and reflector: 850°C polycarbonate.

Dimensions:

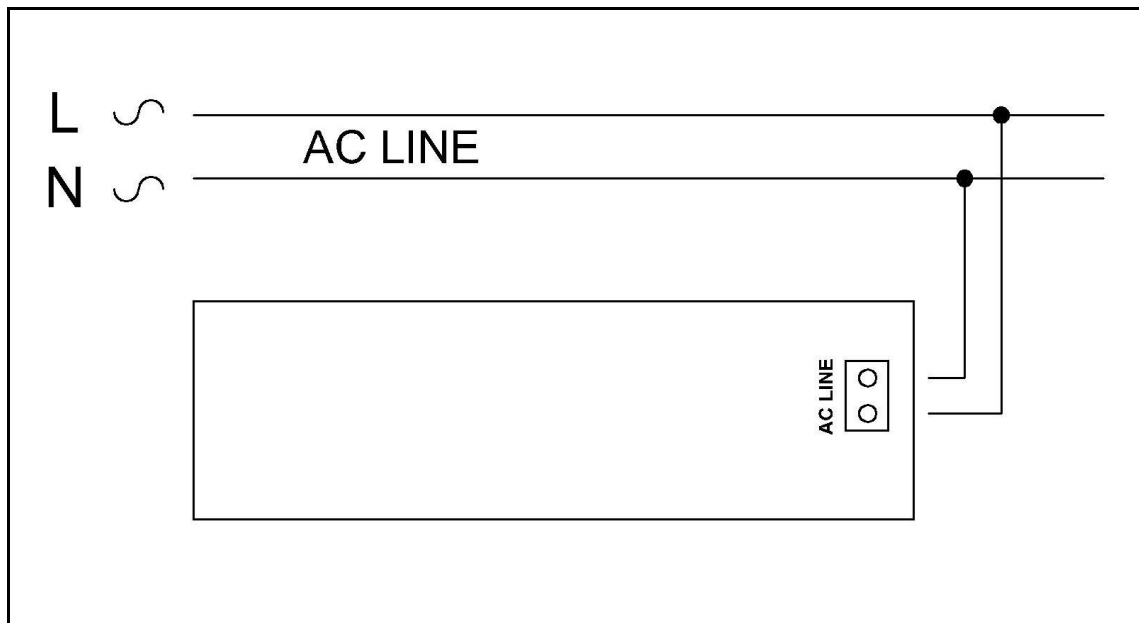


**Alumbrado de Emergencia  
Emergency Lighting**

**Photometric distribution:**



**Wiring diagram:**





*Alumbrado de Emergencia  
Emergency Lighting*

**Accessories:**



REF. AES10000

Marco para empotrar en falso techo  
Double ceiling mounting frame



REF. AA200000

Reja de protección antivandálica  
Anti-vandalism protection grid

Iverlux is continually working on improving and developing its products. For more information, you can contact Iverlux Technical Department at [tecnico@iverlux.com](mailto:tecnico@iverlux.com)